

### Ideal for Rapid Transporting of Liquids and CIP Return Applications

The Admix LRP-425 Liquid Ring Pump is designed for highly efficient pumping of liquids with entrained air or gas. Its self-priming capability makes it an excellent solution for effective emptying of drums, totes, tanks and product lines during processing and CIP return procedures as well. The LRP-425 can run in either direction, so you need only one pump for filling and emptying processes.

The LRP-425 is built for durability and reliability for both gentle and tough pumping applications. Its turbine vane styled impeller is engineered with tight tolerances so that product can quickly transfer with very little turbulence and slippage, keeping your product integrity intact.

All product wetted parts including the pump casing, casing cover and impeller are constructed of 316L stainless steel. The LRP-425 utilizes high performance cartridge type seals that have a common, universal gland – all wearing parts of the seal are self-contained for simplified replacement.



### Featured benefits of the LRP-425:

- Engineered for durability and reliability
- Constructed of 316L stainless steel with 32 Ra finish – other finishes are available
- Smoothly transports fragile and shear-sensitive materials without damage
- High performance cartridge style seals (single or double available)
- Front facing inlet and outlet ports accommodate restricted upward space
- Complies with 3-A sanitary standard #36-01
- CIP-able and designed for rapid cleaning and inspection
- Impeller setting shimming is unnecessary



### Pumps fragile and tough pumping applications such as:

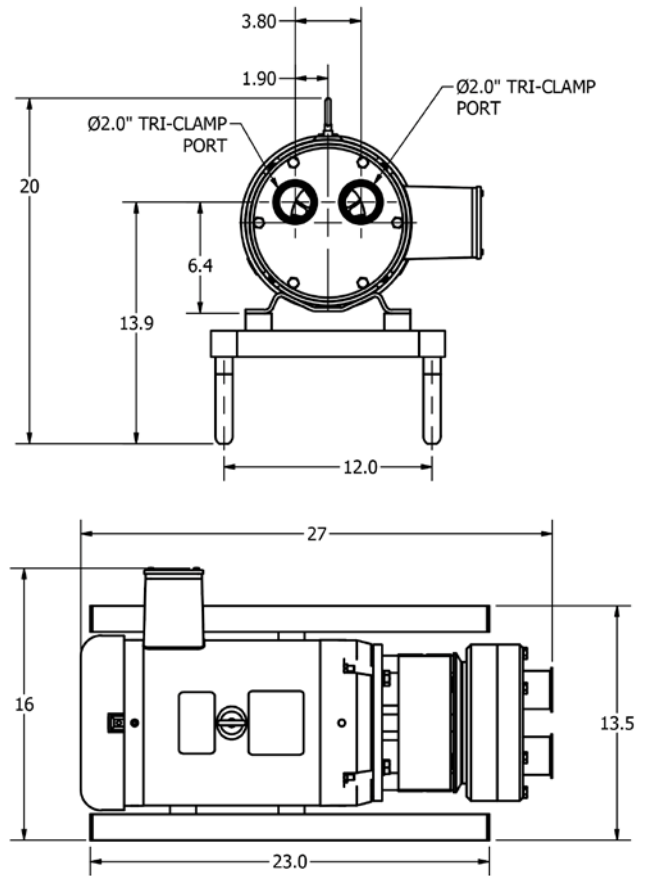
- Liquid eggs
- Cream
- Glycerin
- Whey
- Yeast
- Sweeteners

### Other uses for the LRP-425:

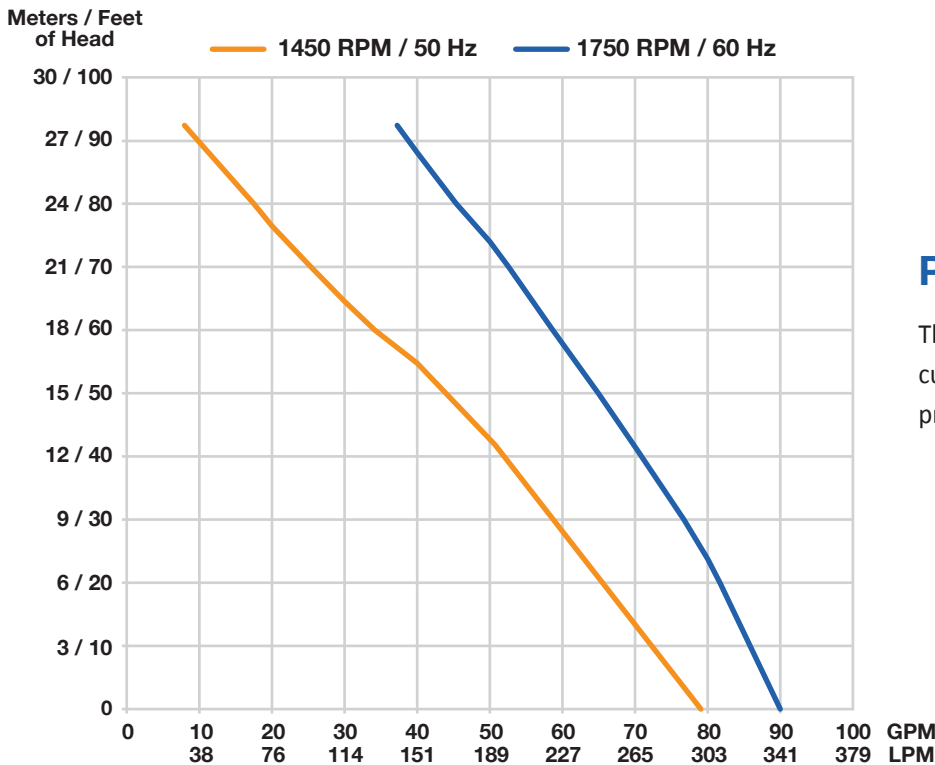
- CIP Return
- Drum and Tote Unloading
- Powder Induction into Liquid

# Specifications

<b>Motor Types</b>	NEMA 213, IEC 112, or IEC 132 available in Stainless Steel, High Efficiency TEFC or TEXP, White Washdown Duty
<b>Motor Size (HP)</b>	7.5 hp / 5.5 kw
<b>Input Voltage</b>	3/60/230-460
<b>Full Load Amps</b>	230v: 19 amps / 460v: 9.4 amps
<b>RPM</b>	1750
<b>Recommended Max Viscosity</b>	1500 cps
<b>Max Flow Rates</b>	90 GPM / 340 liters
<b>Lift</b>	Up to 19 ft. / 5.8 m (based on water)
<b>Seal Types</b>	Single or double mechanical seal, cartridge design
<b>Impeller Setting</b>	Motor stub shaft sets the impeller gap
<b>Inlet / Outlet Size</b>	2 in. / 51 mm
<b>Contact Surfaces</b>	316L with 32 Ra finish standard, Optional: 316L 10 Ra or 20 Ra, Electropolish
<b>Drain (Optional)</b>	3/4 in. / 19 mm Tri Clamp



LRP-425 with 7.5 HP washdown motor shown. Dimensions can vary slightly depending on motor type.



## Pump Curves

The table to the left shows the performance curve of the 7.5 HP LRP-425 based on total head pressure and flow through the pump.